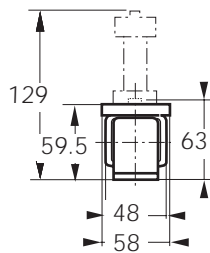
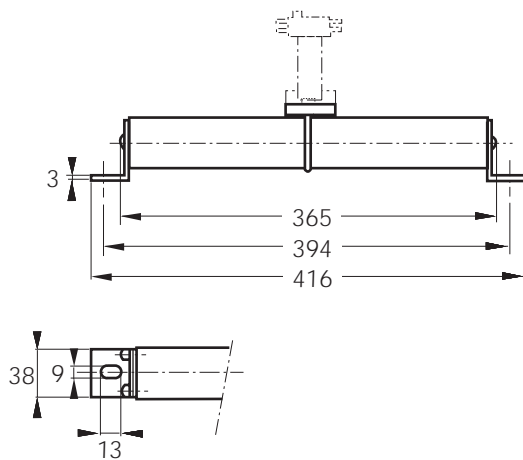


## DC Square-body Fuses Sizes 600 - 602 - 2x602 SR Brackets size 600 - 3500 to 4200 V DC

3500 - 4000 VDC  
 SRB from 10 to 32 A

### Dimensions



Weight: 1920 kg

### Main Characteristics

| Size | Current rating<br>$I_N$ (A) | Breaking capacity       | Watts loss |       | Designation           | Ref. Number | Catalog Number |
|------|-----------------------------|-------------------------|------------|-------|-----------------------|-------------|----------------|
|      |                             |                         | 0.8 $I_N$  | $I_N$ |                       |             |                |
| 600  | 10                          | under 3500 V<br>= 60 kA | 5.5        | 12    | CC 35 SRB 600 QF 0010 | E089405     | D600SB35C10QF  |
|      | 16                          | L/R = 25 ms             | 8.2        | 18    | CC 35 SRB 600 QF 0016 | F089406     | D600SB35C16QF  |
|      | 20                          |                         | 10.5       | 23    | CC 40 SRB 600 QF 0020 | G086946     | D600SB40C20QF  |
|      | 25                          | under 4000 V: 60 kA     | 13.3       | 29    | CC 40 SRB 600 QF 0025 | H086947     | D600SB40C25QF  |
|      | 32                          | L/R = 25 ms             | 16.5       | 36    | CC 40 SRB 600 QF 0032 | J086948     | D600SB40C32QF  |

Pack: 1 piece

Microswitch MC 2R 3E 1-5NBS Ref. Number: J310025



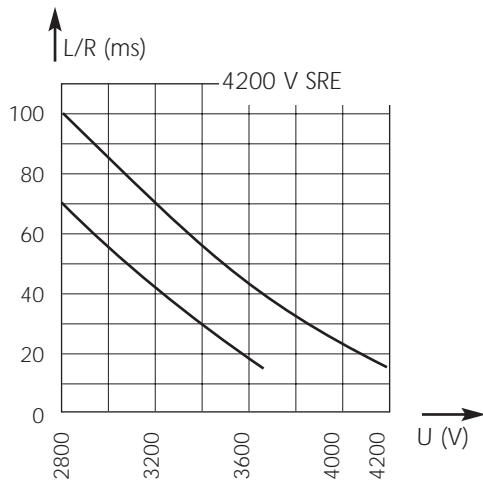
## DC Square-body Fuses

Sizes 600 - 602 - 2x602

SR Brackets size 600 - 3500 to 4200 V DC

SRB from 10 to 32 A  
Size 600

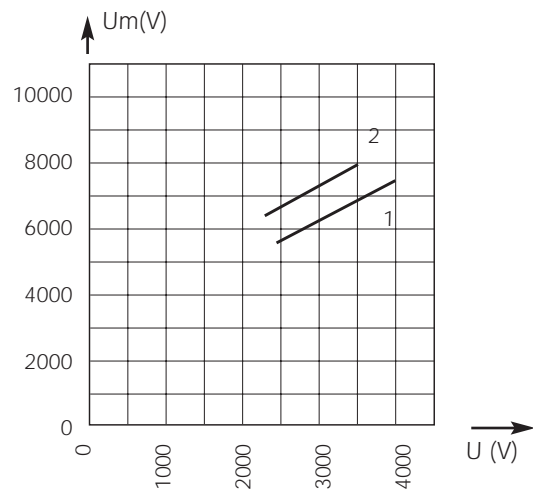
### Electrical characteristics DC applications data



Above: Curve indicates maximum permissible value of time constant  $L/R$  as a function of DC working voltage

**Max. AC voltage (50/60 Hz):**  
3800 V with breaking capacity of 50 kA

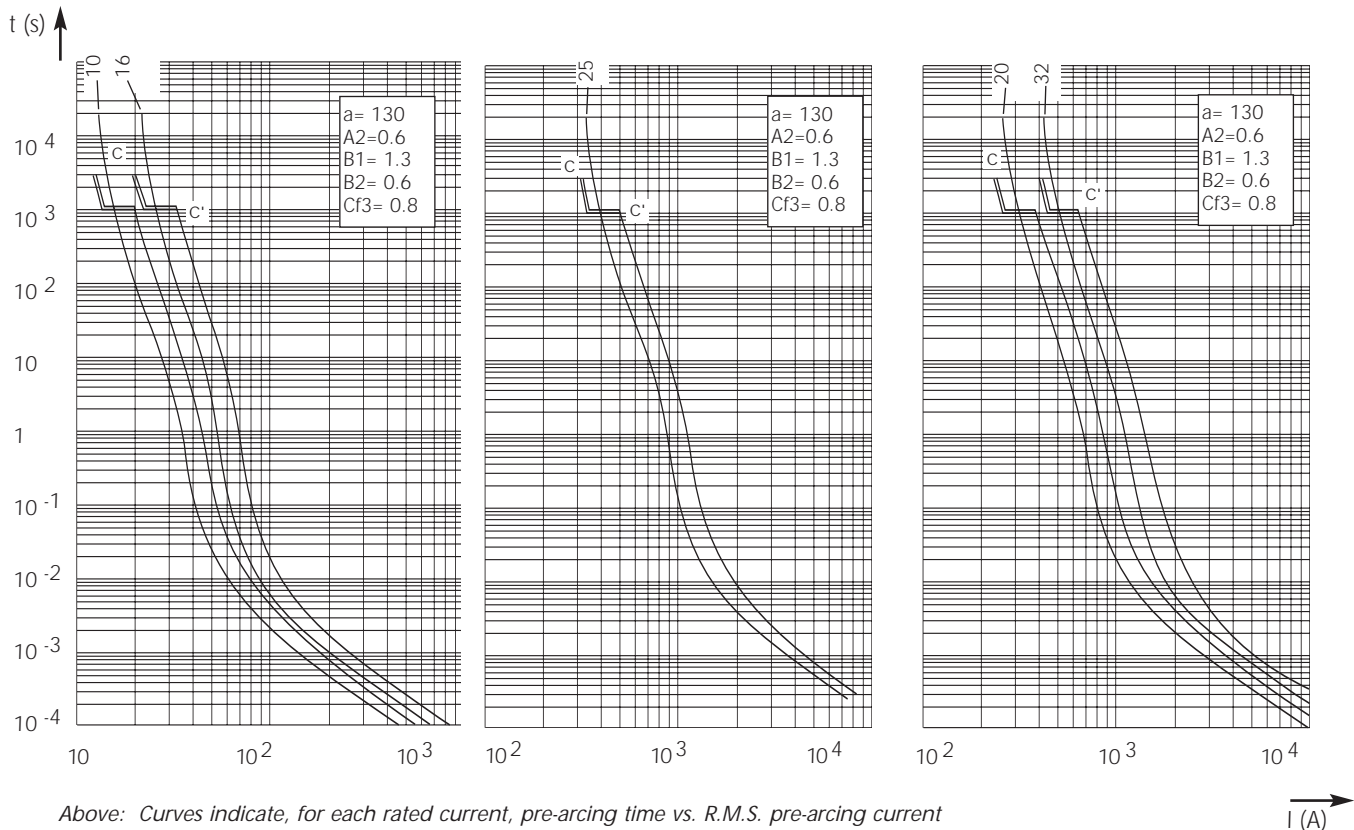
### Peak arc voltage vs. working voltage



1 :  $L/R = 15 \text{ ms}$  4200 V SRE  
2 :  $L/R = 45 \text{ ms}$  4200 V SRE

Above: Curves indicate for various time constants  $L/R$  the peak arc voltage which may appear across fuse terminals, vs. DC working voltage

### Time vs. current characteristics

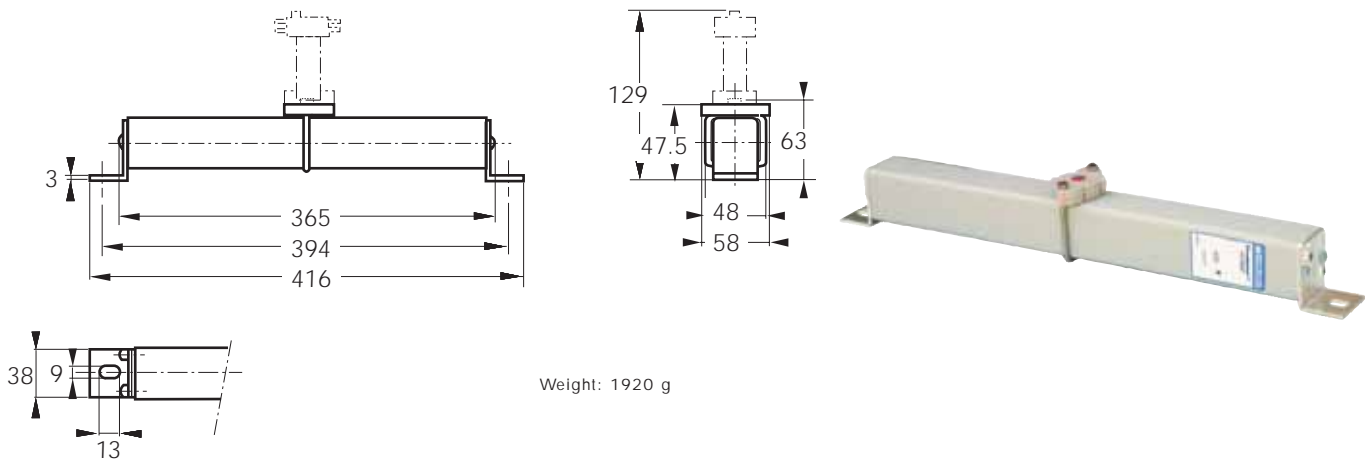


Above: Curves indicate, for each rated current, pre-arcing time vs. R.M.S. pre-arcing current

## DC Square-body Fuses Sizes 600 - 602 - 2x602 SR Brackets size 600 - 3500 to 4200 V DC

4000-4200 V DC  
 SRE from 40 to 150 A

### Dimensions



### Main Characteristics

| Size | Current rating<br>$I_N$ (A) | Breaking Capacity    | Watts loss       |              | Max. $I^2t$<br>@ 3500 V           |                                   | Designation           | Ref. Number           | Catalog Number |                |
|------|-----------------------------|----------------------|------------------|--------------|-----------------------------------|-----------------------------------|-----------------------|-----------------------|----------------|----------------|
|      |                             |                      | 0.8 $I_N$<br>(W) | $I_N$<br>(W) | L/R = 15 ms<br>(A <sup>2</sup> S) | L/R = 45 ms<br>(A <sup>2</sup> S) |                       |                       |                |                |
| 600  | 40                          | @ 4000 V DC          | 50               | 100          | 480                               | 850                               | CC 42 SRE 600 QF 0040 | C079490               | D600SE42C40QF  |                |
|      |                             | 60 kA<br>L/R = 25 ms |                  |              |                                   |                                   |                       |                       |                |                |
|      | 50                          | @ 4200 V DC          | 60 kA            | 52           | 103                               | 1050                              | 800                   | CC 42 SRE 600 QF 0050 | D079491        | D600SE42C50QF  |
|      |                             |                      | 63               | 57           | 114                               | 2100                              | 3500                  | CC 42 SRE 600 QF 0063 | E079492        | D600SE42C63QF  |
|      |                             |                      | 80               | 65           | 128                               | 3500                              | 6000                  | CC 42 SRE 600 QF 0080 | F079493        | D600SE42C80QF  |
|      |                             |                      | 100              | 70           | 140                               | 8000                              | 13500                 | CC 42 SRE 600 QF 0100 | G079494        | D600SE42C100QF |
|      |                             |                      | 125              | 75           | 147                               | 16500                             | 28000                 | CC 42 SRE 600 QF 0125 | H079495        | D600SE42C125QF |
|      |                             |                      | 150              | 78           | 155                               | 31000                             | 55000                 | CC 42 SRE 600 QF 0150 | V079667        | D600SE42C150QF |

Microswitch MC 2R 1-5NBS Ref. Number: J310025

Pack: 1 piece



## DC Square-body Fuses

Sizes 600 - 602 - 2x602

SR Brackets size 600 - 3500 to 4200 V DC

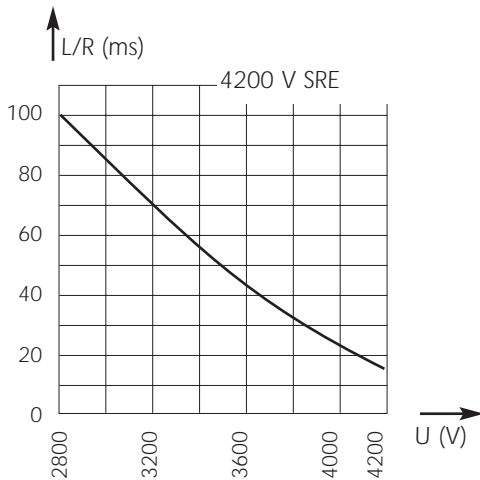


4000-4200 V DC

SRE from 40 to 150 A

### Electrical characteristics

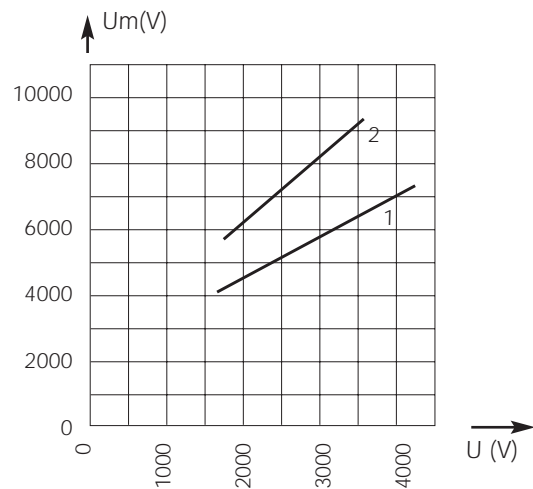
#### DC applications data



Above: Curve indicates maximum permissible value of time constant L/R as a function of DC working voltage

Max. AC voltage (50/60 Hz):  
3800 V with breaking capacity of 50 kA

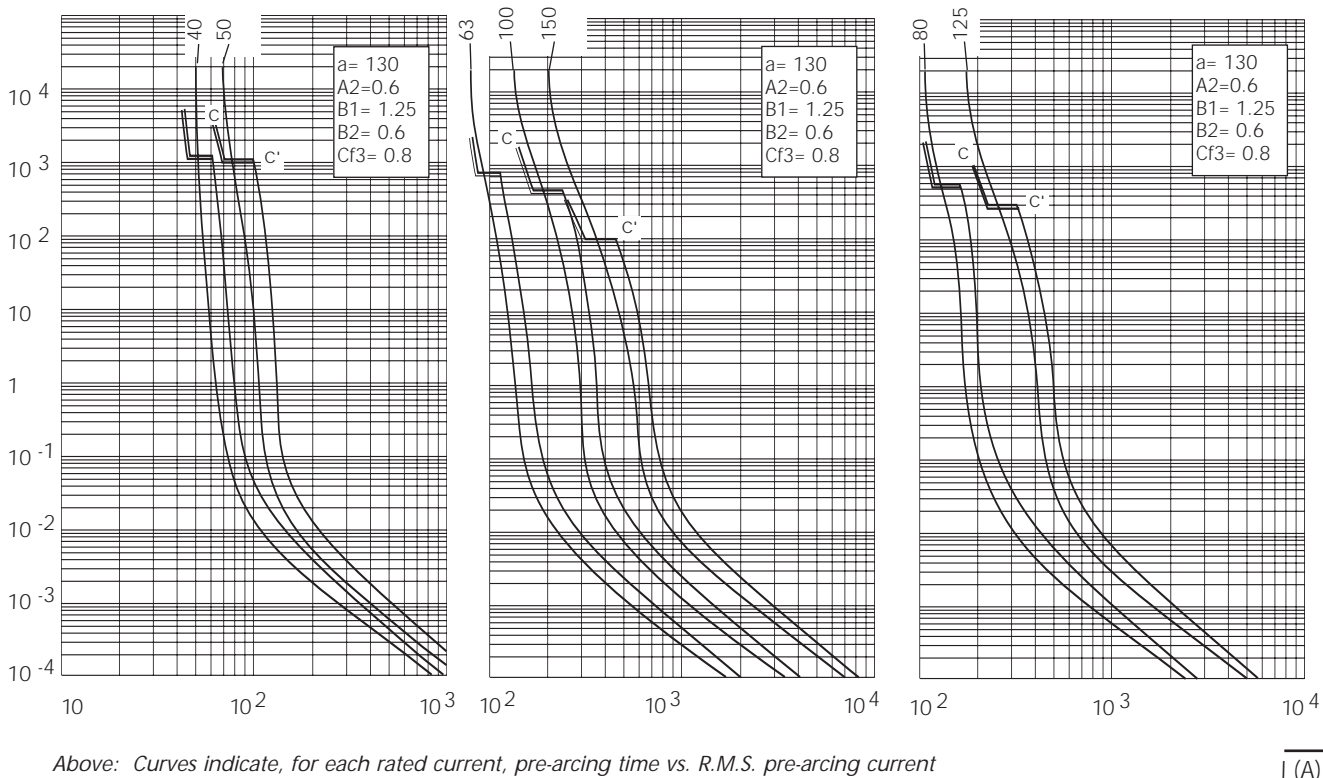
### Peak arc voltage vs. working voltage



1 : L/R = 15 ms 4200 V SRE  
2 : L/R = 45 ms 4200 V SRE

Above: Curves indicate for various time constants L/R the peak arc voltage which may appear across fuse terminals, vs. DC working voltage

### Time vs. current characteristics

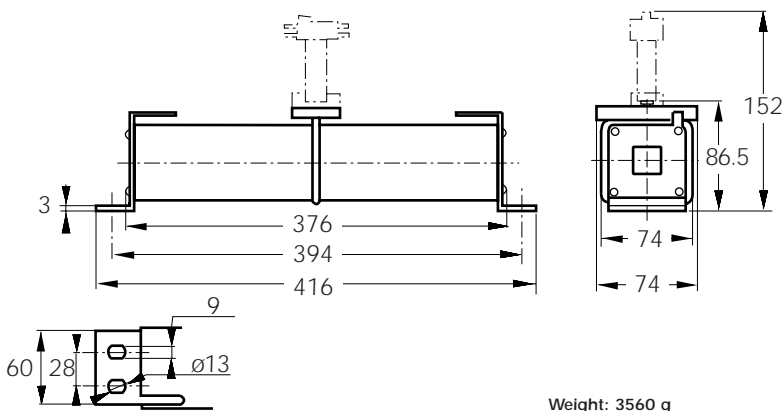


Above: Curves indicate, for each rated current, pre-arcing time vs. R.M.S. pre-arcing current

## DC Square-body Fuses Sizes 600 - 602 - 2x602 SR Bracket size 602 - 4200 V DC

SRF-SRH from 200 to 375 A

### Dimensions



### Main Characteristics

| Size | Current rating<br>$I_N$ (A) | Breaking capacity | Watts loss       |              | Max. $I^2t$<br>@ 3500 V           |                                   | Designation           | Ref. Number | Catalog Number |
|------|-----------------------------|-------------------|------------------|--------------|-----------------------------------|-----------------------------------|-----------------------|-------------|----------------|
|      |                             |                   | $0.8 I_N$<br>(W) | $I_N$<br>(W) | L/R = 15 ms<br>(A <sup>2</sup> S) | L/R = 45 ms<br>(A <sup>2</sup> S) |                       |             |                |
| 602  | 200                         | @ 4200 V DC       | 119              | 228          | 45000                             | 80000                             | CC 42 SRF 602 QF 0200 | J079496     | D602SF42C200QF |
|      | 250                         | 60 kA             | 122              | 232          | 100000                            | 180000                            | CC 42 SRF 602 QF 0250 | K079497     | D602SF42C250QF |
|      | 315                         | L/R = 15 ms       | 128              | 245          | 220000                            | 375000                            | CC 42 SRF 602 QF 0315 | L079498     | D602SF42C315QF |
|      | 375                         |                   | 147              | 280          | 195000                            | 325000                            | CC 42 SRH 602 QF 0375 | H076643     | D602SH42C375QF |

Pack: 1 piece

Microswitch MC 2R 3E 1-5NBS Ref. Number: J310025

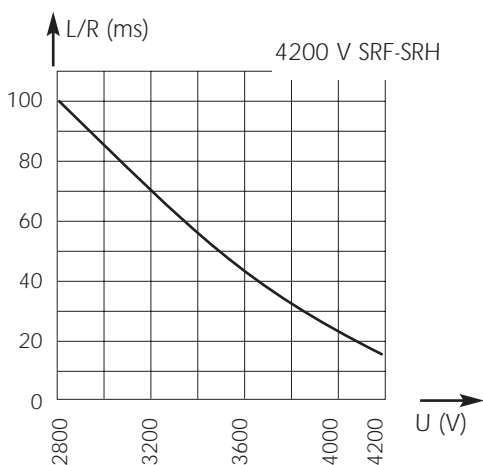


## DC Square-body Fuses Sizes 600 - 602 - 2x602 SR Bracket size 602 - 4200 V DC

SRF-SRH from 200 to 375 A

### Electrical characteristics

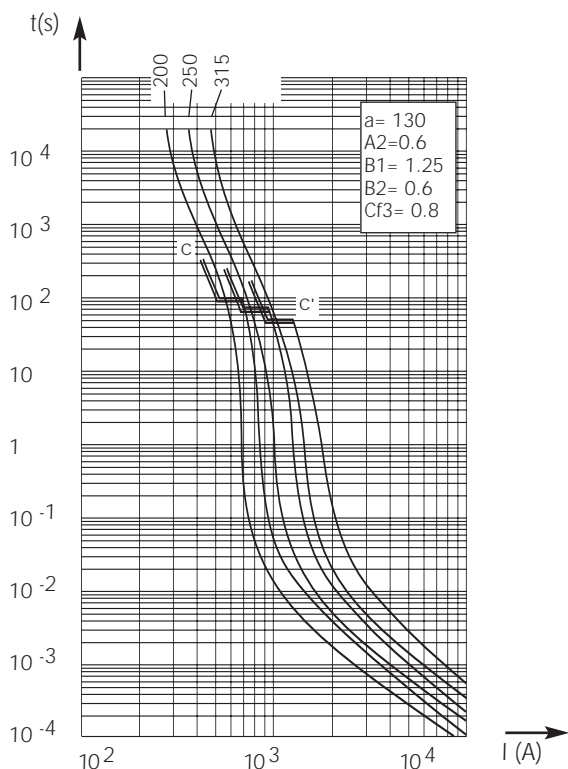
#### DC applications data



Above: Curve indicates maximum permissible value of time constant L/R as a function of DC working voltage

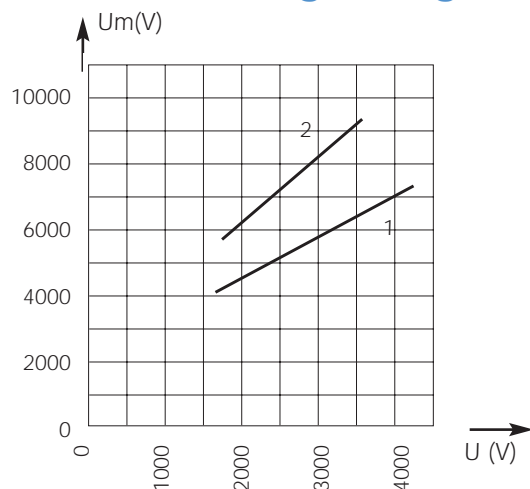
**Max. AC voltage (50/60 Hz):**  
 3,800 V with breaking capacity of 50 kA

#### Time vs. current characteristics



Above: Curves indicate, for each rated current, pre-arcing time vs. R.M.S. pre-arcing current

#### Peak arc voltage vs. working voltage



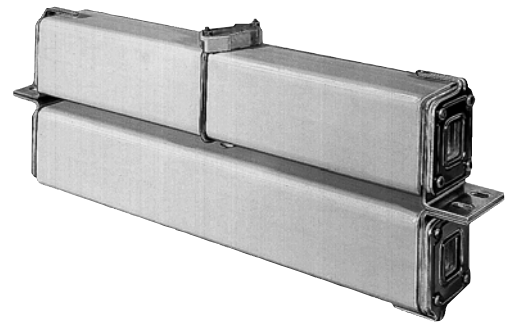
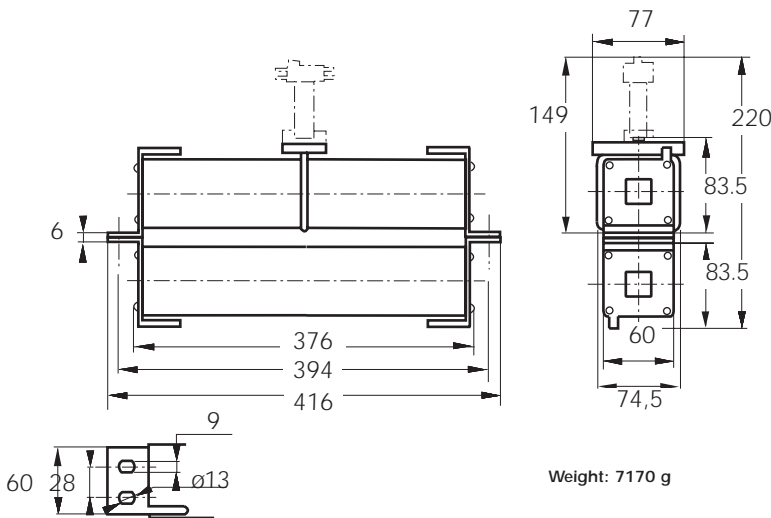
1 : L/R = 15 ms 4200 V SRF-SRH  
 2 : L/R = 45 ms 4200 V SRF-SRH

Above: Curves indicate for various time constants L/R the peak arc voltage which may appear across fuse terminals, vs. DC working voltage

## DC Square-body Fuses Sizes 600 - 602 - 2x602 SR Brackets size 2x602 - 4200 V DC

SRF-SRH from 400 to 750 A

### Dimensions



### Main Characteristics

| Size  | Current rating<br>$I_N$ (A) | Breaking capacity | Watts loss       |              | Max. $I^2t$<br>@ 3500 V           |                                   | Designation           | Ref. Number | Catalog Number  |
|-------|-----------------------------|-------------------|------------------|--------------|-----------------------------------|-----------------------------------|-----------------------|-------------|-----------------|
|       |                             |                   | 0.8 $I_N$<br>(W) | $I_N$<br>(W) | L/R = 15 ms<br>(A <sup>2</sup> S) | L/R = 45 ms<br>(A <sup>2</sup> S) |                       |             |                 |
| 2x602 | 400                         | @ 4200 V DC       | 250              | 480          | 180000                            | 320000                            | CC 42 SRF 2602 QF 400 | M079499     | D2602SF42C400QF |
|       | 500                         | 60 kA             | 256              | 487          | 400000                            | 720000                            | CC 42 SRF 2602 QF 500 | N079500     | D2602SF42C500QF |
|       | 630                         | L/R = 15 ms       | 270              | 515          | 880000                            | 1500000                           | CC 42 SRF 2602 QF 630 | H079541     | D2602SF42C630QF |
|       | 750                         |                   | 310              | 590          | 780000                            | 1300000                           | CC 42 SRH 2602 QF 750 | N078143     | D2602SH42C750QF |

Pack: 1 piece

Microswitch MC 2R 3E 1-5NBS Ref. Number: J310025

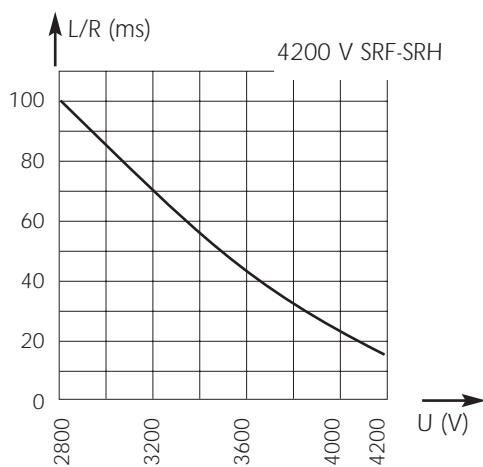


## DC Square-body Fuses Sizes 600 - 602 - 2x602 SR Brackets size 602 - 4200 V DC

SRF-SRH from 400 to 750 A  
 Size 2x602

### Electrical characteristics

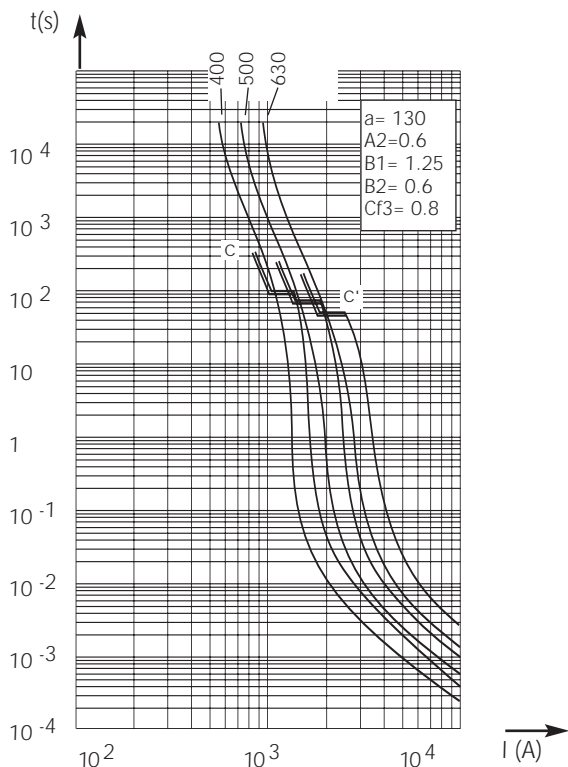
#### DC applications data



Above: Curve indicates maximum permissible value of time constant L/R as a function of DC working voltage

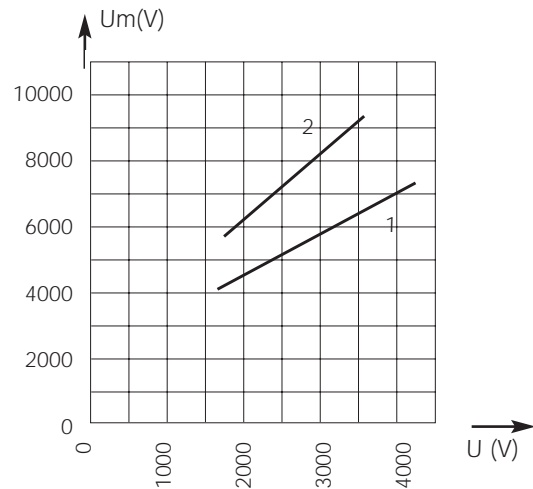
**Max. AC voltage (50/60 Hz):**  
 3,800 V with breaking capacity of 50 kA

#### Time vs. current characteristics



Above: Curves indicate, for each rated current, pre-arcing time vs. R.M.S. pre-arcing current

#### Peak arc voltage vs. working voltage



1 : L/R = 15 ms 4200 V SRF-SRH  
 2 : L/R = 45 ms 4200 V SRF-SRH

Above: Curves indicate for various time constants L/R the peak arc voltage which may appear across fuse terminals, vs. DC working voltage