

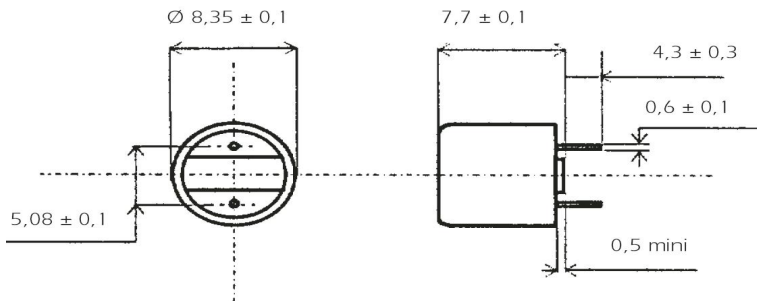
Miniature Fuses

IEC Fuses Subminiature
MRF Fast Acting
250VAC from 0.05 to 6.3A



Complying with IEC-127-3 Standard Sheet 3

Dimensions



Product weight: 0.5g max.

Packaging: in box of 100 and 1000 pieces



Reference number :
G210548



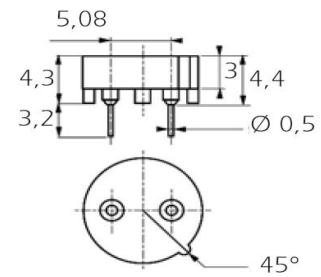
Installation instructions

Resistance as per IEC 68-2-20: 260°C for 10 seconds

Operating temperature: -55°C to 125°C

Materials: body: Thermoplastic V0 UL 94

Materials: contact: Tin-plated copper alloy



Size	Catalog Number	Reference Number	Rated Voltage (V)	Nominal Current (A)	Breaking capacity @ Nominal current (A)	Watts Loss @ 100% In (W)	Max. voltage drop (V)
8.35x7.7	MIMRF25V0.05	K085385	250	0.05	35	0.08	0.72
8.35x7.7	MIMRF25V0.063	L085386	250	0.063	35	0.09	0.65
8.35x7.7	MIMRF25V0.08	M085387	250	0.08	35	0.11	0.58
8.35x7.7	MIMRF25V0.1	N085388	250	0.1	35	0.12	0.52
8.35x7.7	MIMRF25V0.125	P085389	250	0.125	35	0.14	0.47
8.35x7.7	MIMRF25V0.16	Q085390	250	0.16	35	0.1	0.27
8.35x7.7	MIMRF25V0.2	R085391	250	0.2	35	0.12	0.26
8.35x7.7	MIMRF25V0.25	S085392	250	0.25	35	0.15	0.254
8.35x7.7	MIMRF25V0.315	T085393	250	0.315	35	0.18	0.246
8.35x7.7	MIMRF25V0.4	V085394	250	0.4	35	0.22	0.239
8.35x7.7	MIMRF25V0.5	X085396	250	0.5	35	0.27	0.232
8.35x7.7	MIMRF25V0.63	Y085397	250	0.63	35	0.15	0.106
8.35x7.7	MIMRF25V0.8	Z085398	250	0.8	35	0.19	0.103
8.35x7.7	MIMRF25V1	A085399	250	1	35	0.23	0.1
8.35x7.7	MIMRF25V1.25	B085400	250	1.25	35	0.28	0.097
8.35x7.7	MIMRF25V1.6	C085401	250	1.6	35	0.35	0.094
8.35x7.7	MIMRF25V2	D085402	250	2	35	0.42	0.091
8.35x7.7	MIMRF25V2.5	E085403	250	2.5	35	0.51	0.088
8.35x7.7	MIMRF25V3.15	F085404	250	3.15	35	0.62	0.086
8.35x7.7	MIMRF25V4	G085405	250	4	40	0.77	0.083
8.35x7.7	MIMRF25V5	R208625	250	5	50	0.93	0.081
8.35x7.7	MIMRF25V6.3	S208626	250	6.3*	63	1.14	0.078

*Non approval ratings

Lower rated current consult us

Miniature Fuses

IEC Fuses Subminiature
MRF Fast Acting
250VAC from 0.05 to 6.3A



Melting time limits

Nominal current	210% x I _n	275% x I _n	400% x I _n	1000% x I _n
From 50mA to 6.3A	30min maxi	10ms mini 3s maxi	3ms mini 300ms maxi	20ms maxi

Time Current Curve

