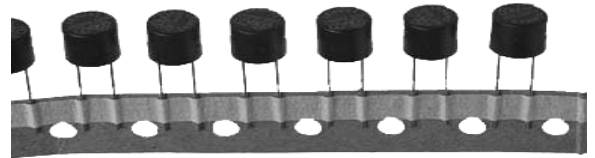


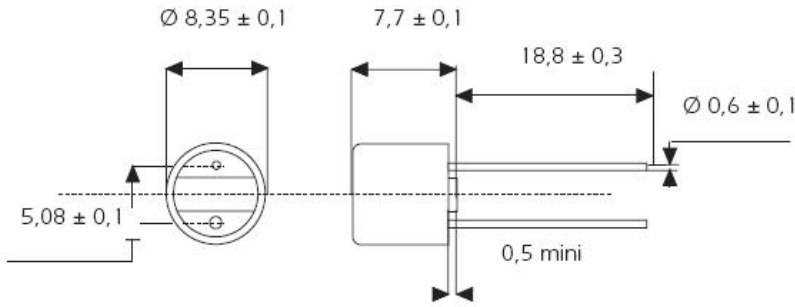
Miniature Fuses

IEC Fuses Subminiature
MRFL Fast Acting
250VAC from 0.250 to 6.3A



Complying with IEC-127-3 Standard Sheet 3

Dimensions



Installation instructions

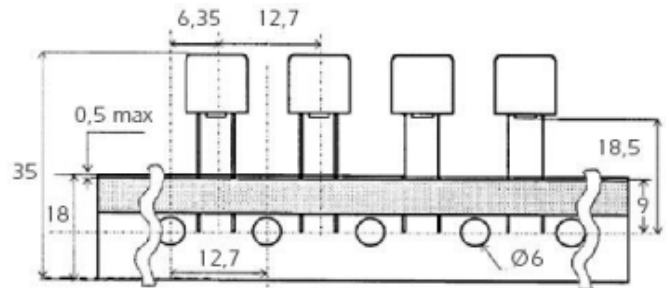
Resistance: according IEC 68-2-20: 260°C for 10 seconds

Materials: body: Thermoplastic V0 UL 94

Materials: contact: Tin-plated copper alloy

Product weight: 0.5g max.

Packaging: in box of 1000 pieces

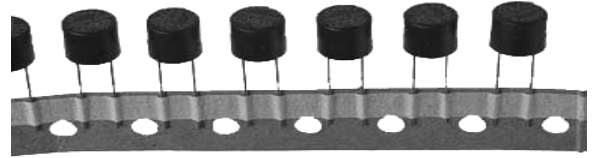


Size	Catalog Number	Reference Number	Rated Voltage (V)	Nominal Current (A)	Breaking capacity @ Nominal current (A)	Watts Loss @ 100% In (W)	Max. voltage drop (V)
8.35x7.7	MIMRF25V0.25LL	B208289	250	0.25	35	0.15	0.254
8.35x7.7	MIMRF25V0.315LL	C208290	250	0.315	35	0.18	0.246
8.35x7.7	MIMRF25V0.4LL	D208291	250	0.4	35	0.22	0.239
8.35x7.7	MIMRF25V0.5LL	E208292	250	0.5	35	0.27	0.232
8.35x7.7	MIMRF25V0.63LL	F208293	250	0.63	35	0.15	0.106
8.35x7.7	MIMRF25V0.8LL	G208294	250	0.8	35	0.19	0.103
8.35x7.7	MIMRF25V1LL	H208295	250	1	35	0.23	0.1
8.35x7.7	MIMRF25V1.25LL	J208296	250	1.25	35	0.28	0.097
8.35x7.7	MIMRF25V1.6LL	K208297	250	1.6	35	0.35	0.094
8.35x7.7	MIMRF25V2LL	L208298	250	2	35	0.42	0.091
8.35x7.7	MIMRF25V2.5LL	M208299	250	2.5	35	0.51	0.088
8.35x7.7	MIMRF25V3.15LL	N208300	250	3.15	35	0.62	0.086
8.35x7.7	MIMRF25V4LL	P208301	250	4	40	0.77	0.083
8.35x7.7	MIMRF25V5LL	X208630	250	5	50	0.93	0.081
8.35x7.7	MIMRF25V6.3LL	Y208631	250	6.3	63	1.14	0.078

Lower rated current consult us

Miniature Fuses

IEC Fuses Subminiature
MRFL Fast Acting
250VAC from 0.250 to 6.3A



Melting Time Limits

Nominal current	210% x I _n	275% x I _n	400% x I _n	1000% x I _n
From 250mA to 4A	30min maxi	10ms mini 3s maxi	3ms mini 300ms maxi	20ms maxi

Time Current Curve

