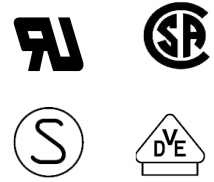


Miniature Fuses

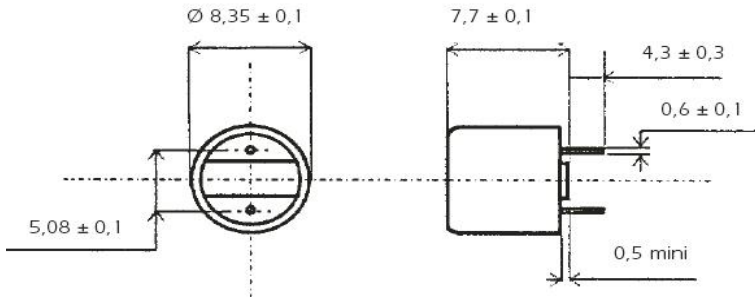
IEC Fuses Subminiature
MRT Time Lag
250VAC from 0.080 to 6.3A



Complying with IEC-127-3 Standard Sheet 4



Dimensions



Product weight: 0.5g max.

Packaging: in box of 100 and 1000 pieces



Reference number :
G210548

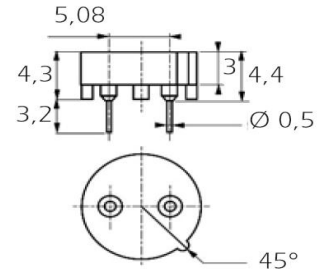
Installation instructions

Soldering heat resistance as per IEC 68-2-20 260°C for 10 seconds

Operating temperature: -55°C to 125°C

Materials: body: Thermoplastic V0 UL 94

Materials: contact: Tin-plated copper alloy



Size	Catalog Number	Reference Number	Rated Voltage (V)	Nominal Current (A)	Breaking capacity @ Nominal current (A)	Watts Loss @ 100% In (W)	Max. voltage drop (V)
8.35x7.7	MIMRT25V0.08	C081767	250	0.08	35**	0.1	0.4
8.35x7.7	MIMRT25V0.1	D082550	250	0.1	35**	0.11	0.35
8.35x7.7	MIMRT25V0.125	E082551	250	0.125	35**	0.13	0.3
8.35x7.7	MIMRT25V0.16	F082552	250	0.16	35**	0.15	0.28
8.35x7.7	MIMRT25V0.2	G082553	250	0.2	35**	0.17	0.25
8.35x7.7	MIMRT25V0.25	H082554	250	0.25	35**	0.19	0.22
8.35x7.7	MIMRT25V0.315	J082555	250	0.315	35**	0.22	0.19
8.35x7.7	MIMRT25V0.4	K082556	250	0.4	35**	0.25	0.16
8.35x7.7	MIMRT25V0.5	L082557	250	0.5	35**	0.29	0.15
8.35x7.7	MIMRT25V0.63	M082558	250	0.63	35**	0.33	0.13
8.35x7.7	MIMRT25V0.8	N082559	250	0.8	35**	0.38	0.12
8.35x7.7	MIMRT25V1	P082560	250	1	35**	0.44	0.11
8.35x7.7	MIMRT25V1.25	Q082561	250	1.25	35**	0.51	0.1
8.35x7.7	MIMRT25V1.6	R082562	250	1.6	35**	0.58	0.095
8.35x7.7	MIMRT25V2	S082563	250	2	35**	0.67	0.09
8.35x7.7	MIMRT25V2.5	T082564	250	2.5	35**	0.77	0.087
8.35x7.7	MIMRT25V3.15	V082565	250	3.15	35**	0.88	0.083
8.35x7.7	MIMRT25V4	W082566	250	4*	40**	1.02	0.08
8.35x7.7	MIMRT25V5	Z208632	250	5*	50**	1.17	0.077
8.35x7.7	MIMRT25V6.3	A208633	250	6.3*	63**	1.34	0.073

* UL Recognized approval only

** 100A for UL Recognized

Miniature Fuses

IEC Fuses Subminiature
MRT Time Lag
250VAC from 0.080 to 6.3A



Melting Time Limits

Nominal current	210% x I _n	275% x I _n	400% x I _n	1000% x I _n
From 80mA to 6.3A	2min maxi	400 ms mini 10s maxi	150ms mini 3s maxi	20ms mini 150ms maxi

Time Current Curve

